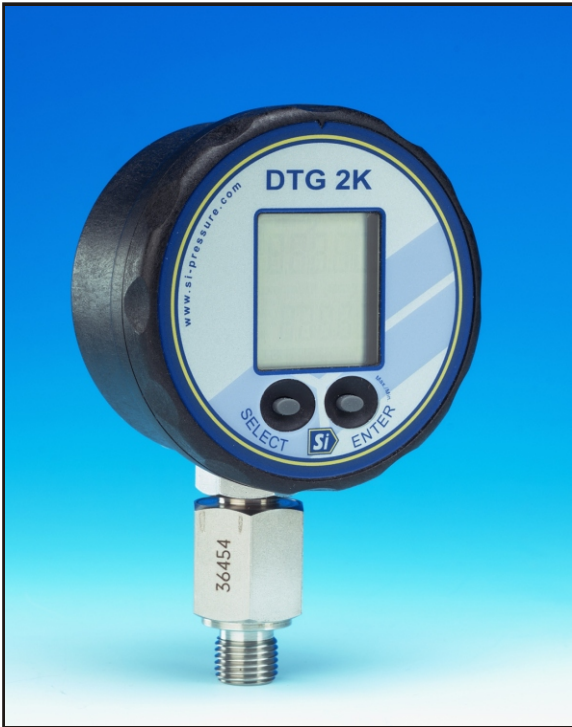


# Digital Test Gauge DTG-2K



The DTG-2K Digital Test Gauge offers an accurate and convenient replacement to standard analogue test gauges. Available in five standard ranges the unit can display any of the following pressure units (hPa/mbar, bar, kp/cm<sup>2</sup>, psi, kPa, MPa).

A compact instrument, the DTG-2K is ideally suited as a Master Test Gauge for operation with the SI Pressure Instruments LTP1 & TP1 Pneumatic Pressure systems and HTP1 Hydraulic Pressure Test System enabling simplified and efficient calibration.

The measuring element of the gauge is a fully isolated piezoresistive pressure transducer chosen for its stability, high accuracy, and reliability. It is well suited for both static and dynamic applications and is capable of capturing transient pressure pulses with durations of only microseconds.

## Features

- Accuracy 0.2% FS
- 5 ranges available between -1...1000 bar, -14.5...15,000 psi
- 6 selectable pressure units
- All Stainless Steel (316) welded pressure cavity for wet aggressive media
- Resolution: 4½ digits
- Simple battery replacement
- Peak hold facility
- Max. & Min. Read facility
- Auto switch off after 15 minutes or continuous use selection
- Convenient 76mm / 3 inch diameter face
- Easy to read LCD display
- Ideal replacement for analogue test gauges



Complete Pneumatic Kit - TP1



Complete Hydraulic Kit - HTP1

[www.si-pressure.com](http://www.si-pressure.com)

Tel: 0116 231 7500 (UK) Tel: +44 116 231 7500 (Int)

Fax: 0116 231 7103 (UK) Fax: +44 116 231 7103 (Int)

SI Pressure Instruments, Druck Ltd., FirTree Lane, Groby, Leics. LE6 0FH UK. [Sales@si-pressure.com](mailto:Sales@si-pressure.com)

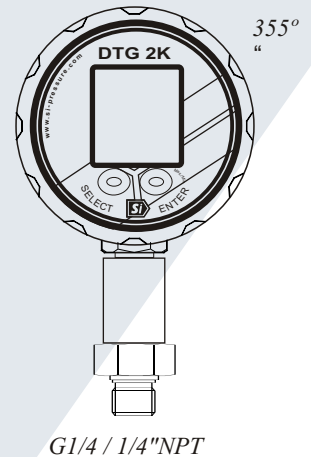


# DTG-2K Specifications

| Range                         | Resolution          | Overrange             | Overpressure          |
|-------------------------------|---------------------|-----------------------|-----------------------|
| -1 to 3 bar / -15 to 45 psi   | 1 mbar / 0.015 psi  | 3.5 bar / 52 psi      | 10 bar / 150 psi      |
| -1 to 30 bar / -15 to 450 psi | 10 mbar / 0.15 psi  | 35 bar / 520 psi      | 60 bar / 900 psi      |
| 0 to 300 bar / 4500 psi       | 100 mbar / 1.50 psi | 400 bar / 6000 psi    | 400 bar / 6000 psi    |
| 0 to 700 bar / 10,000 psi     | 200 mbar / 3.0 psi  | 700 bar / 10,000 psi  | 700 bar / 10,000 psi  |
| 0 to 1000 bar / 15,000 psi    | 200 mbar / 3.0 psi  | 1000 bar / 15,000 psi | 1000 bar / 15,000 psi |

**Accuracy:** 0.2% F.S standard (<1% FS in over-range)  
**Peak Value:** Measured 5000 times per second  
**Display Update:** Twice per second  
**Battery:** 3V type CR 2430  
**Battery Life:** 1400 hours continuous operation in Mano-Mode  
 180 hours continuous operation in Peak-Mode  
 "BATT LOW" Warning on display

**Pressure Port:** 1/4 BSP male / 1/4 NPT male (via adaptor)  
**Protection:** IP65  
**Operating Temp.:** 0 to 50°C  
**Storage Temp.:** -30 to 80°C  
**Compensated Temp Range:** 0 to 50°C  
**Dimensions:** 76 DIA x 118 x 42mm  
**Weight:** 210g approximately  
**Switch Off:** By key or auto switch off after 15 minutes



## Ordering Codes:

**DTG-2K-3** Digital test gauge -1...3 bar G / -15 to 45 psi G  
**DTG-2K-30** Digital test gauge -1...30 bar G / -15 to 450 psi G  
**DTG-2K-300** Digital test gauge 0...300 bar G / 4500 psi G  
**DTG-2K-700** Digital test gauge 0...700 bar G / 1000 psi G  
**DTG-2K-1000** Digital test gauge 0...1000 bar G / 15000 psi G

**DTG-2K-3-P\*** Pneumatic Kit  
**DTG-2K-30-P\*** Pneumatic Kit  
**DTG-2K-300-H\*** Hydraulic Kit  
**DTG-2K-700-H\*** Hydraulic Kit  
**DTG-2K-1000-H\*** Hydraulic Kit

**\* For NPT versions, add (-US) to order codes**

Pneumatic Kit includes: DTG-2K, TP1 or LTP1 (up to 3 bar only) pump, Adaptors, Seal Kit and Plastic Carrying Case

Hydraulic Kit includes: DTG-2K, HTP1 pump, Adaptors, HK1-1000 Hose, PRV12 Relief Valve, Seal Kit and Carrying Case.



Complete Low Pressure Pneumatic Kit - LTP1

[www.si-pressure.com](http://www.si-pressure.com)

Tel: 0116 231 7500 (UK) Tel: +44 116 231 7500 (Int)  
 Fax: 0116 231 7103 (UK) Fax: +44 116 231 7103 (Int)

SI Pressure Instruments, Druck Ltd., FirTree Lane, Groby, Leics. LE6 0FH UK. Sales@si-pressure.com



31-0472. Iss.4. DIM.5300