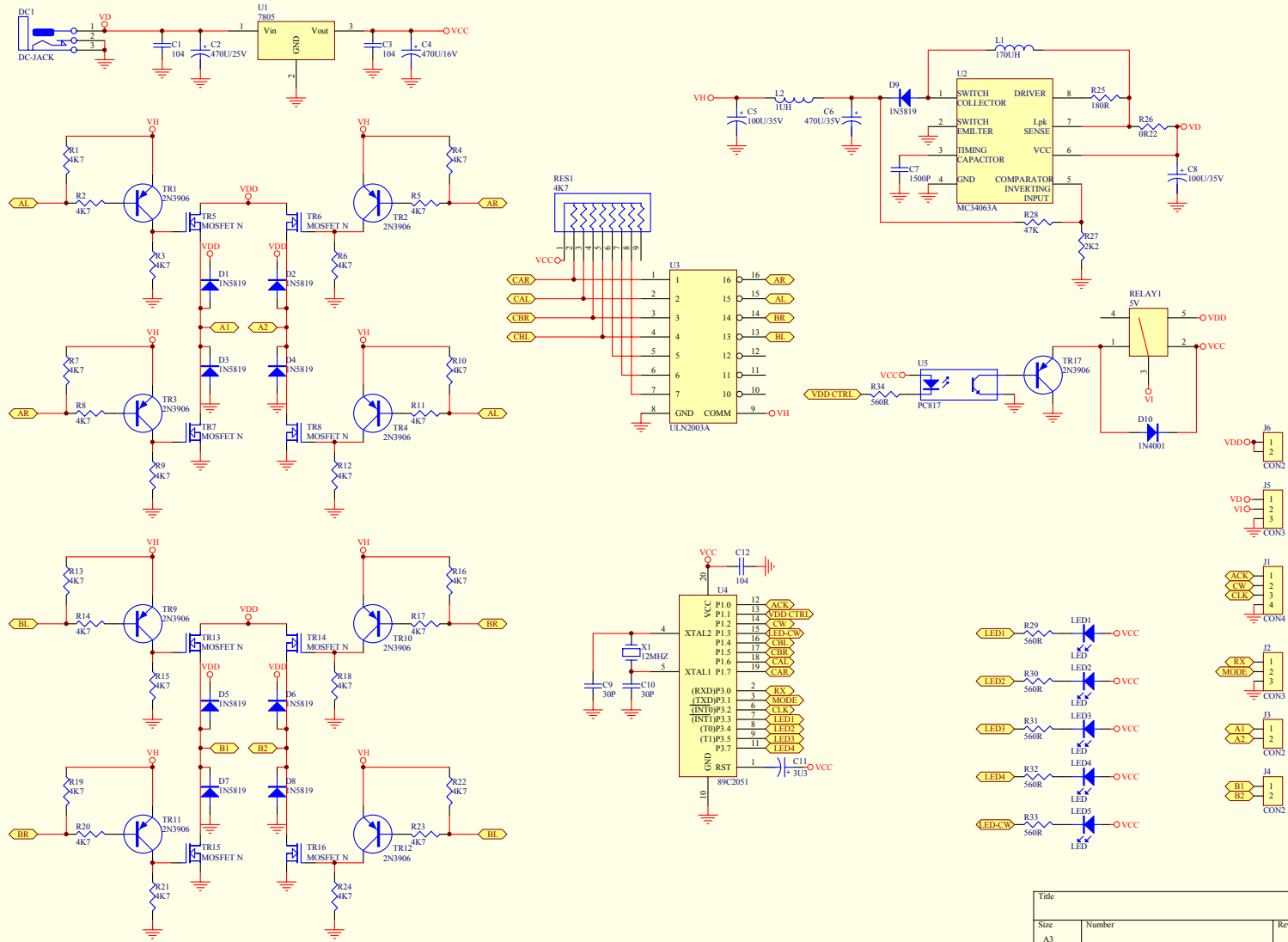


# DIY-6002



Title		
Size	Number	Revision
A3		
Date	7-Feb-2002	Sheet of
File	C:\CIRCUIT\DIY-6002.d6002.Ddb	Drawn By: